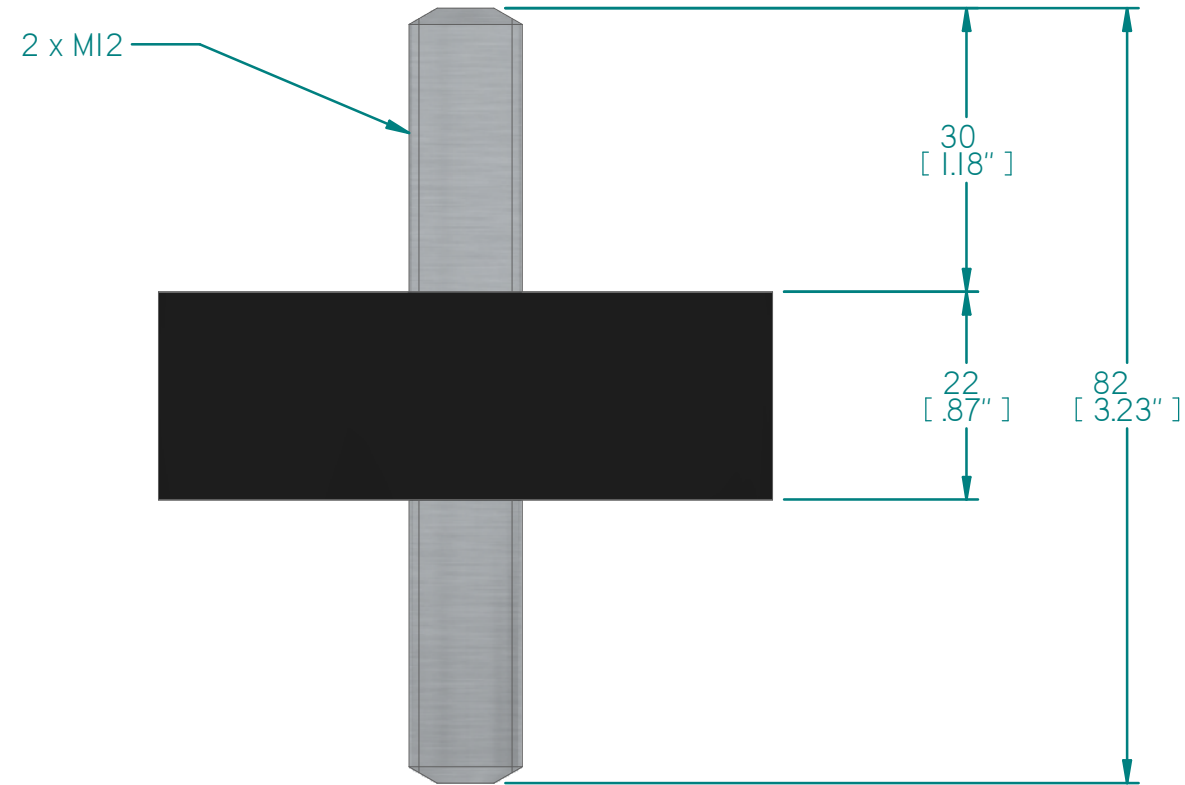
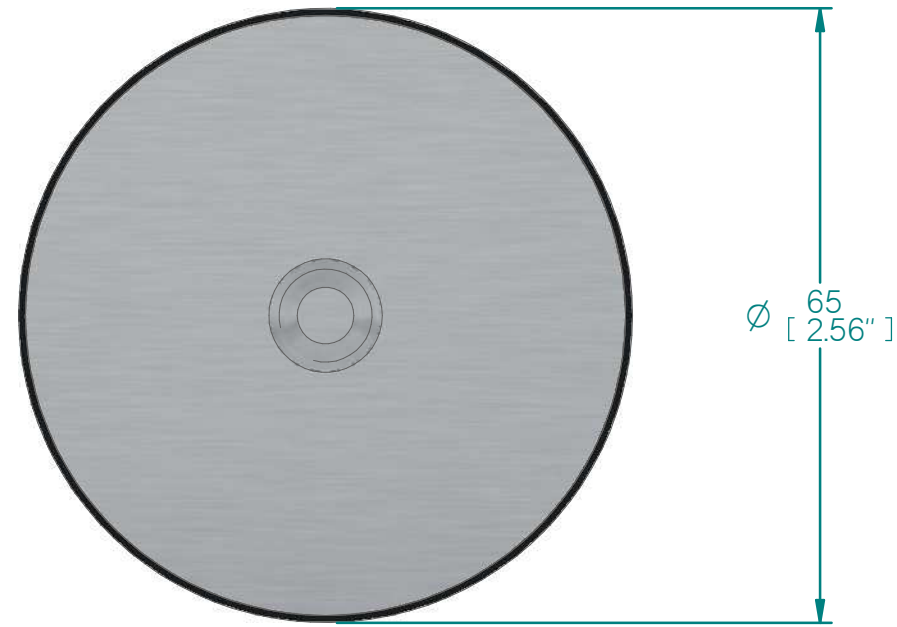


©COPYRIGHT VULCANITE PTY LTD. ALL RIGHTS RESERVED. DRAWING PROVIDED FOR INFORMATION PURPOSES ONLY. VULCANITE RESERVES THE RIGHT TO CHANGE DIMENSIONS AND/OR SPECIFICATION AT ANY TIME.



FOR SPECIFICATION
REFER TO
VULCANITE.COM.AU

AS 1100.201-1992	
0 - 6	±0.1
6 - 30	±0.2
30 - 120	±0.3
120 - 400	±0.5
400 - 1000	±0.8

UNLESS OTHERWISE SPECIFIED, TOLERANCE ON ALL DIMENSION OF LENGTH AND ANGLE ON RUBBER ARE TO CLASS M3 OF STANDARD ISO 3302-1: 1996 AND ON METAL ARE TO AS 1100.201-1992 AND ASI365-1986

ISO 3302-1: 1996 CLASS M3				
RANGE	SPEC	25 - 40	±0.60	
0 - 6.3	±0.25	40 - 63	±0.80	
6.3 - 10	±0.30	63 - 100	±1.00	
10 - 16	±0.40	100 - 160	±1.30	
16 - 25	±0.50	160 -	±0.8%	

ELASTOMER SPEC:	NATURAL RUBBER
METAL SPEC:	MILD STEEL
FINISH:	MATT BLACK PAINT / RUST VETO
WEIGHT:	0.33 [0.72 lbs]

ALL DIMENSIONS ARE IN MILLIMETRES WITH INCHES SHOWN INSIDE []	
NOT TO SCALE	
SIZE:	A3
THIRD ANGLE PROJECTION	

vulcanite
Excellence in engineered rubber solutions.



TITLE:	65 X 22mm DRUM MOUNT
SUB-TITLE:	

DWG No:	VP3723
---------	--------